

**Build under  
60 cm  
Stainless steel**



EAN 5414425007363

## Energy label

▪ Energy Efficiency class (EEIhood)	D
▪ Annual Energy Consumption (kWh/year) (AEChood)	63,1
▪ Fluid Dynamic Efficiency class (FDEhood)	E
▪ Lighting Efficiency class (LEhood)	D
▪ Grease Filtering Efficiency class (GFEhood)	D

## Functions & features

▪ Control method	Knobs
▪ Number of speeds	3
▪ Motor	Integrated
▪ Sound absorber	Integrated
▪ Auto stop	-
▪ Number of grease filters	1
▪ Grease filter	906109
▪ Grease filter cleaning indication	-
▪ Recirculation filter cleaning indication	-

## Dimensions

▪ Product dimensions (WxDxH) (mm)	598 x 518 x 261
▪ Advised mounting height induction hobs (Hmin-Hmax) (mm)	650 - 750
▪ Advised mounting height gas hobs (Hmin-Hmax) (mm)	650 - 750
▪ Advised mounting height ceramic hobs (Hmin-Hmax) (mm)	600 - 750
▪ Diameter outlet (mm)	125
▪ Position exhaust	Top

## Lighting

▪ Functional lighting type	TL 8
▪ Dimmable light	-
▪ Soft-ON/OFF	-
▪ Total energy consumption functional light (W)	15

## Airflow and noise level

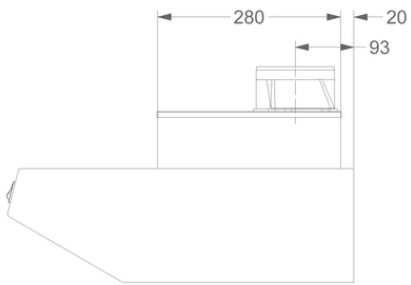
▪ Airflow (m <sup>3</sup> /h) measured according to EN 61591	
▪ Sound regulation according to EN 60704-2-13	
▪ Airflow speed 1 (m <sup>3</sup> /h) / Max Pressure speed 1 (Pa)	159 / 173
▪ Airflow speed 2 (m <sup>3</sup> /h) / Max Pressure speed 2 (Pa)	212 / 237
▪ Airflow speed 3 (m <sup>3</sup> /h) / Max Pressure speed 3 (Pa)	287 / 272
▪ Sound power speed 1 (dB(A)) / Sound pressure speed 1 (dB(A))	47 / 36
▪ Sound power speed 2 (dB(A)) / Sound pressure speed 2 (dB(A))	53 / 42
▪ Sound power speed 3 (dB(A)) / Sound pressure speed 3 (dB(A))	59 / 48

**Technical specifications**

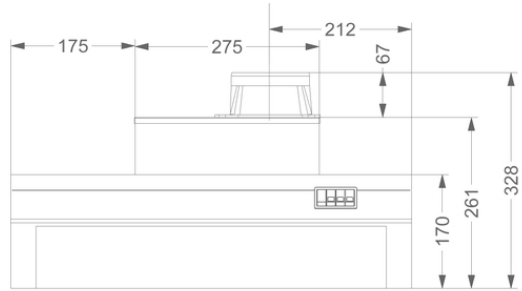
---

▪ Maximum power	112
▪ Voltage (V)	220-230
▪ Frequency (Hz)	50
▪ Length power supply cord (m)	1,2
▪ Power consumption in off-mode (Po) (W)	0,00
▪ Net weight (kg)	14,8

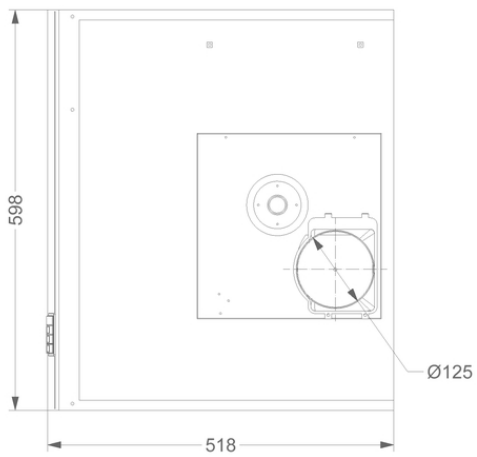
1



2



3



4

